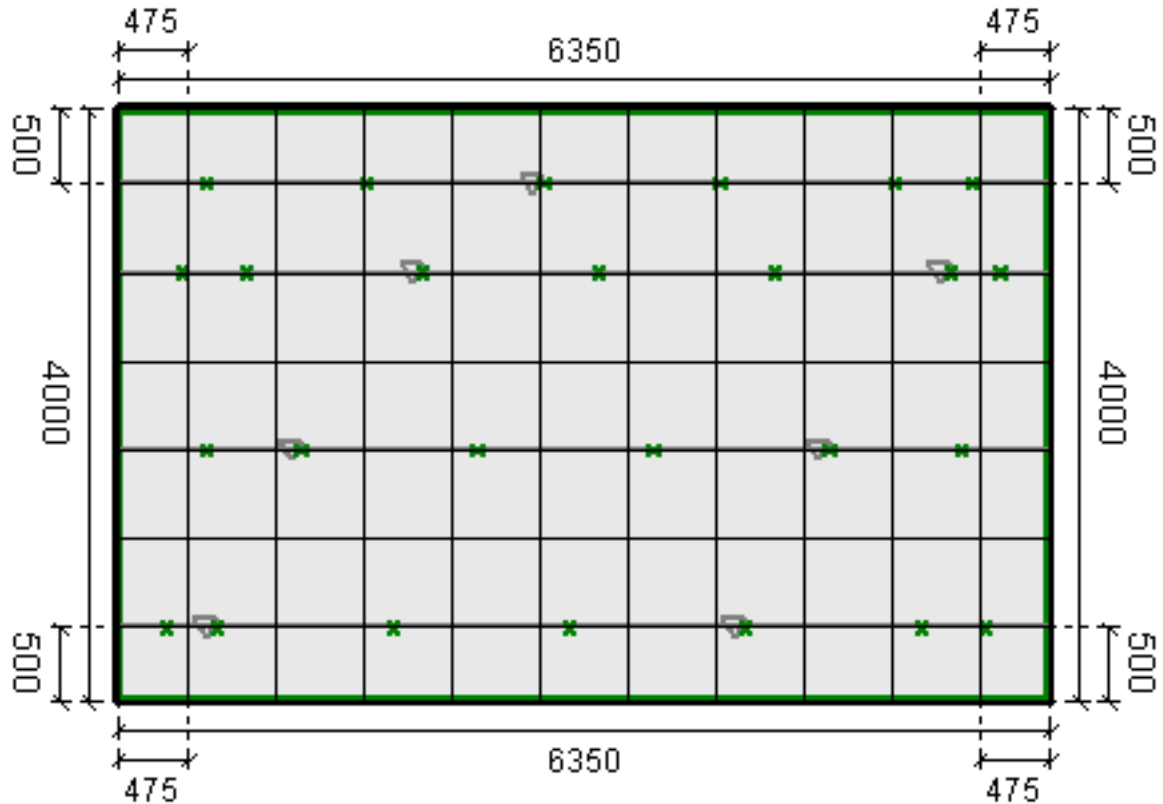


## How to install a suspended ceiling

### Step 1: Planning for a suspended ceiling



- First, get the exact measurements of the room where the suspended ceiling will be installed. Use special care in measuring any odd-shaped alcoves, bays and so on.
- We will help you to design the laying plan. This comprises how the metal structure will be fixed and where the light fittings are to be inserted. The metal structure is made up of:
  - Angles - which are 3.05metres long and are used around the perimeter of the room,
  - Main tees which are 3.6 metres which bear all the weight of suspended ceiling
  - Medium tees, which are 1.2 metre and connect the main tees
  - Small tees, which are 0.6 metres and connect the medium tees.

Our staff will indicate the exact place on a map where and how each of the metal structure needs to be placed.

## Step 2: Angles



- Determine the exact height at which the suspended ceiling will be installed. Allow a minimum of 15 cm (6 inches) clearance between the old ceiling and the new ceiling for installation of the ceiling panels so as to be able to accommodate also recessed lighting.
- After locating the exact position for the suspended ceiling, use a level to draw a line around the room indicating where the angle will be fixed. Don't assume that the original ceiling is level – use a level for accuracy. The most accurate and simple level is a water pipe. Set the wall angle low enough to conceal as many pipes, ducts, etc. as possible.

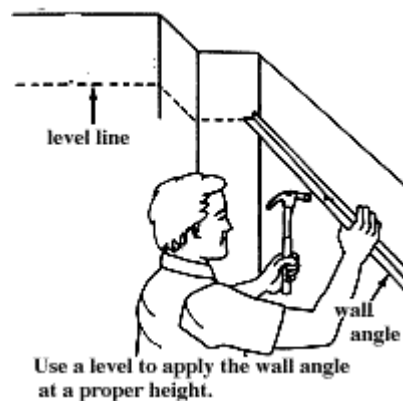


Figure 1

- Position the wall angle so that the bottom flange rests on the level line you have drawn on the wall. Take the time to do this right!
- Overlap the wall angle on the inside corner. Cut two angles diagonally at 45 degrees (miter) to fit next to each other in the case of outside corners as shown in Figure 2.
- Fasten the angle securely to the wall at 30cm points. Nail them firmly to studs or use screw anchors or other masonry fasteners on brick or masonry wall.

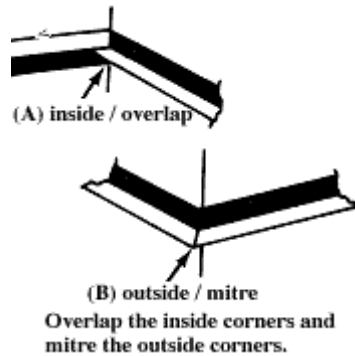
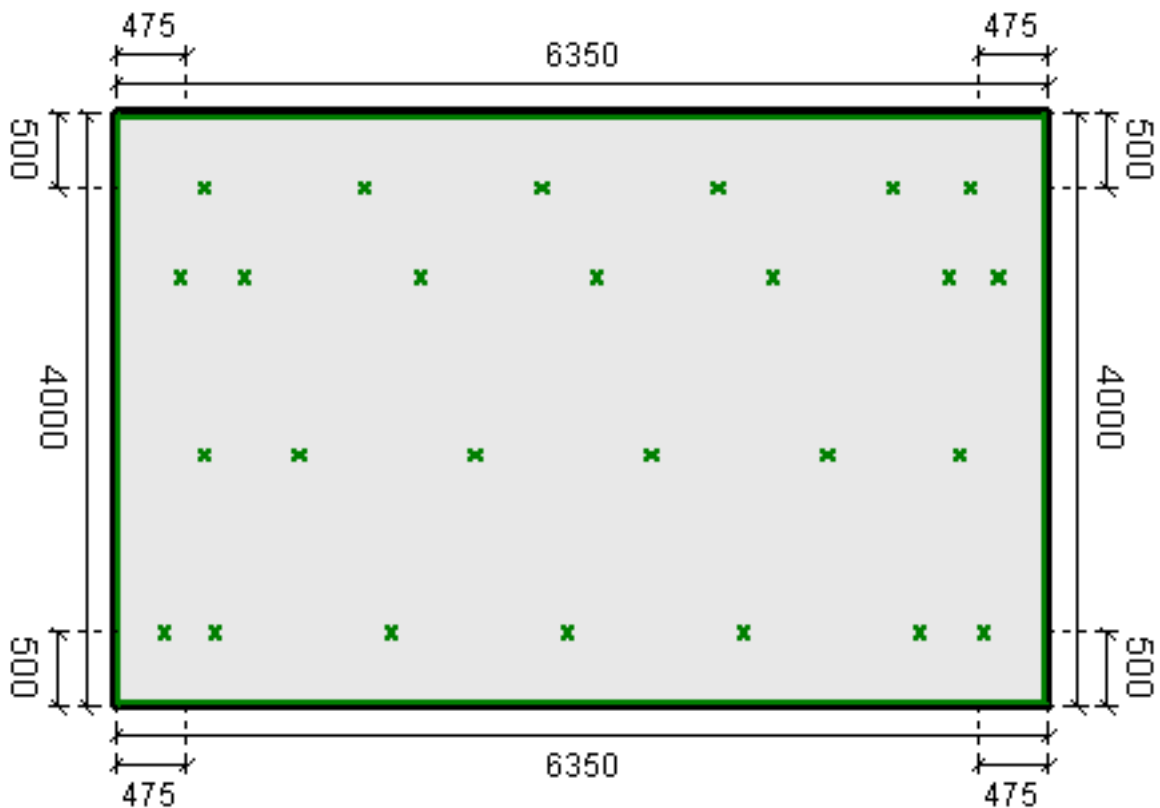


Figure 2

### Step 3: Locating and Hanging Suspension wires for Main Tees



- If you are going to use recessed lights, install the wiring before putting the suspension wire in place.

- Refer to the sketch we have provided for the location of all main tees.
- Stretch a tight line from the top edge of the wall angle on all sides of the room at each position where the main tees are to be placed.
- Now, cut the suspension wires to the proper length. The wires should be 30cm(12 inches) longer than the distance between the old ceiling and the new guideline string you have stretched to indicate the position of each main tee.
- Locate the first suspension wire for each main tee directly above the point indicated by the diagram provided by us.
- Be sure hat the suspension wires are securely fastened. Stretch each wire and make a 90 degrees bend where the suspension wire crosses the level line as shown in Figure 3.

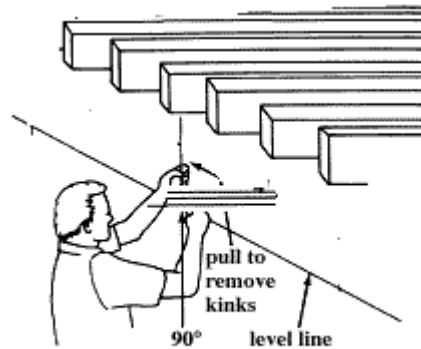
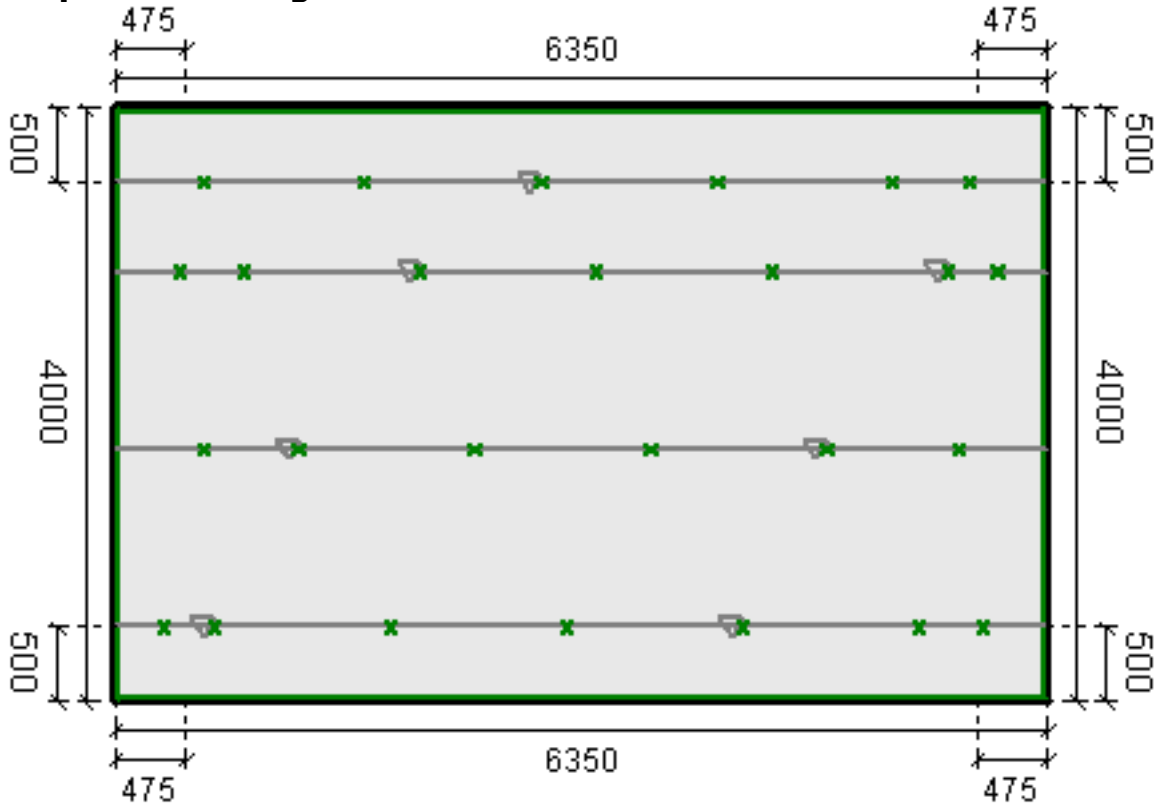


Figure 3

### Step 4: Installing main tees



- Refer to the drawing we have provided to determine the distance from the wall of the first small tee. Now measure this distance along the top flange of the main tee and locate the slot just beyond this point.
- From this slot, measure back the same distance, subtract 3mm (1/8 of an inch) and cut the main tee at that point. The 3mm subtraction is for the thickness of the angle.
- When main tees are installed in rooms less than 3.6m across, cut the main tee to the exact measurement of the room allowing for the thickness of the angle.
- For rooms wider than 3.6m, the main tees can be spliced as shown in Figure 4. Be sure to align the splice so that the suspension wires are correctly positioned.

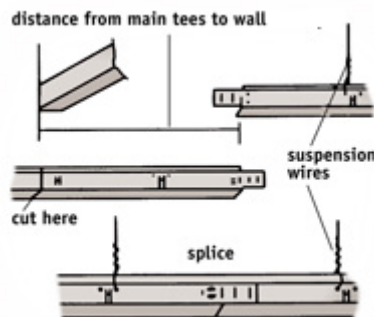
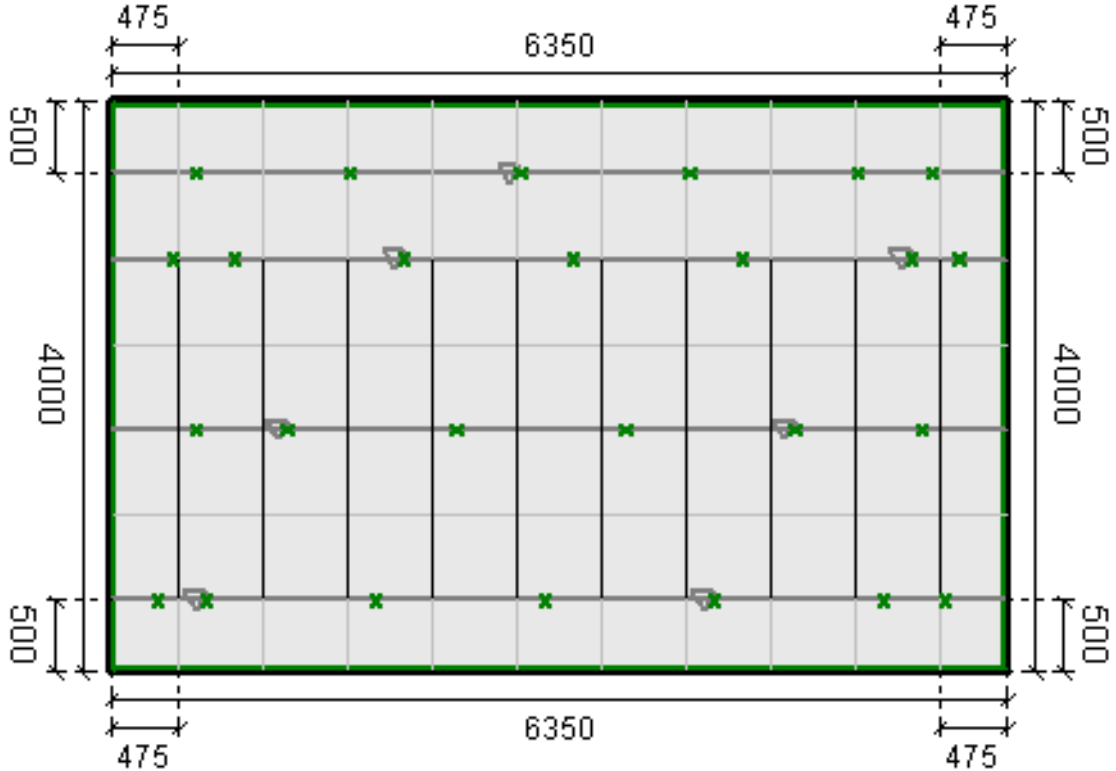


Figure 4

- Install the main tees so that they are all level with the wall angle already mounted. Use a long level for this.

**Step 5: Installing medium and small tees and ceiling panels**



- Install the first and second medium tee by clipping them into the main tee. Clip in the first small tee to connect the two medium tees. The location of these tees will be indicated in the plan that we have provided you with. Drop in the first two ceiling panels.
- Clip in the third medium tee and the second small tee as indicated by the plan. Drop the second pair of ceiling panels.
- Repeat this procedure for the rest of the room (1medium tee +1 small tee + 2 panels).



Figure 5